



ALPHATRON  
Marine



Compass

# AlphaBinnacle

Magnetic compass redesigned

[www.jrc.am](http://www.jrc.am)

# Features

The AlphaBinnacle is designed for usage on commercial vessels, fishing vessels and naval vessels with or without DG correction. Suitable for use with Alpatron Marine Transmitting Magnetic Compass (TMC) equipment to operate repeaters, off-course alarms and outputs to navigation equipment including gyro back up. The AlphaBinnacle with magnetic compass is type approved to the European Marine Equipment Directive (MED).

- High quality hardware design
- Reflector, non-reflector or both
- Reduced shipyard installation work
- Improved water tightness around deck/periscope area
- Low voltage lighting within the binnacle
- Corrosion free housing
- No brass material for compass
- Lightweight

## Why use the magnetic compass

The nautical compass plays a vital role in maritime navigation. At times it becomes necessary and relevant to safeguard the compass from weather conditions. The navigation instrument that helps serve this purpose is the binnacle. Alongside this aid, binnacles also safeguard the compasses from toppling over due to the constant rolling and pitching of the vessel. The AlphaBinnacle is available in reflector, non-reflector and naval (DG Correction) versions with two different heights.

The AlphaBinnacle can be used with a simple periscope assembly. Due to the improved water tightness around deck/periscope area, it reduces installation work for the shipyard. It can also be used as a standalone compass or even with an electronic device (TMC) in combination with the AlphaLine repeaters.



# Add display to binnacle

The robust display line can be used as type approved heading indicator or as heading repeater connectable to a gyro, magnetic or GPS compass showing the ship's heading information from a standard ship's compass. The LCD information screens display digital course trend, alarm and rate of turn.



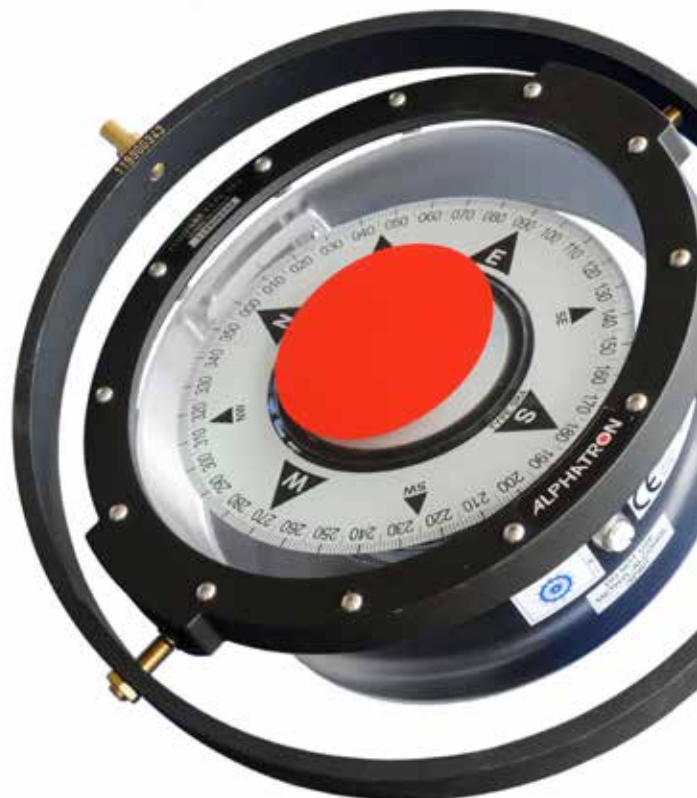
## TMC

The Transmitting Magnetic Compass (TMC) is a product used as an addition to traditional mechanical magnetic compasses. It is used to convert the compass signal from analog to digital, which makes it possible to show the magnetic heading in more than one place.

## In a nutshell

The magnetic compass used in the AlphaBinnacle complies with Class A. This compass can stand alone in a bracket system or mounted in a binnacle with the full range of options including a TMC for digital output.

The compass is suitable to mount the Transmitting Magnetic Compass equipment to operate repeaters, off-course alarms and outputs to navigation equipment including gyro backup like the AlphaMiniCourse.





## AlphaBinnacle M

This AlphaBinnacle M type for commercial vessel under 150 GT, fishing vessel and workboats under 35 meter.

Professional smaller binnacle case for table top or deck mount applications for use with magnetic compass.



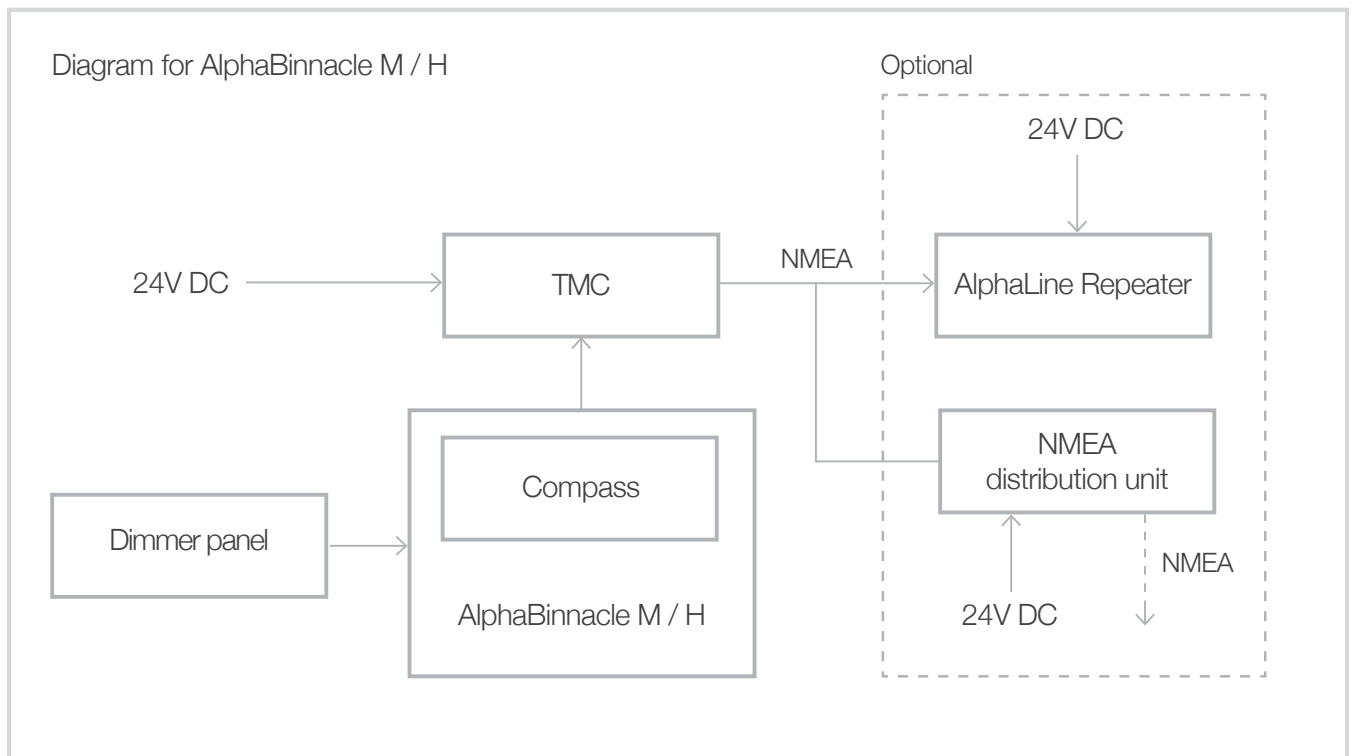
## AlphaBinnacle H

This AlphaBinnacle H type for commercial vessel over 150 GT, fishing vessels and workboats over 35 meter and naval vessels.

Professional binnacle case for deck mount applications for use with magnetic compass.

# System diagram

The AlphaBinnacle transfers data via the TMC to the AlphaLine repeaters. Optionally, this system can be connected to a NMEA distribution box transmitting to multiple AlphaLine repeaters.



## In the box

### AlphaBinnacle M / H

- Compass Class-A
- B, C & H-correctors
- 2x15W lighting & dimmer

### AlphaBinnacle H

- Flinders bar
- Azimuth device (in wooden box)
- Spare compass incl box

## Accessories

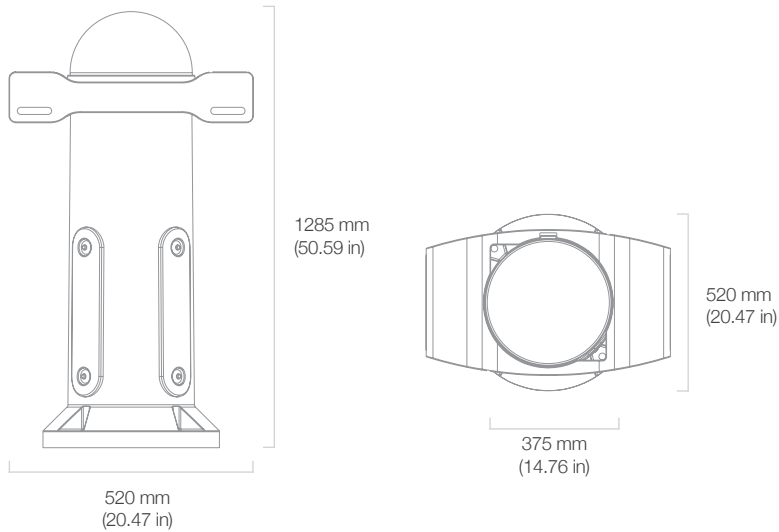
- Quadrantal correctors collar
- TMC system
- Periscope device
- Mirror device
- Spare magnetic compass SR-4
- Spare azimuth device for SR-4
- NMEA distribution module
- AlphaLine MFS-H
- AlphaLine MFS-V
- AlphaLine MFM
- AlphaLine MFL



# Tech Specs

## Alphabinnacle H RoHS

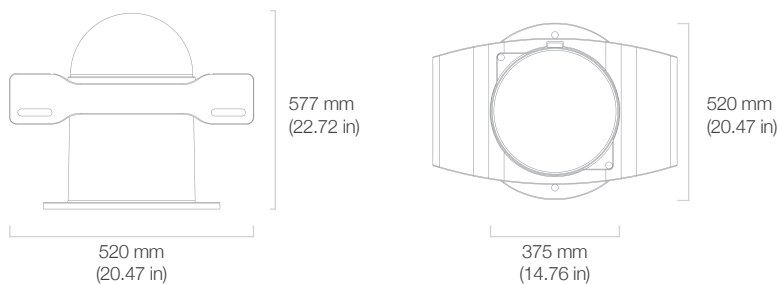
3105.0052 Weight 73 kg (160.94 lbs)



- Low voltage lighting
- Lightweight
- Reflector, non-reflector or both
- Reduced installation work
- Improved water tightness
- Simple periscope assembly

## Alphabinnacle M RoHS

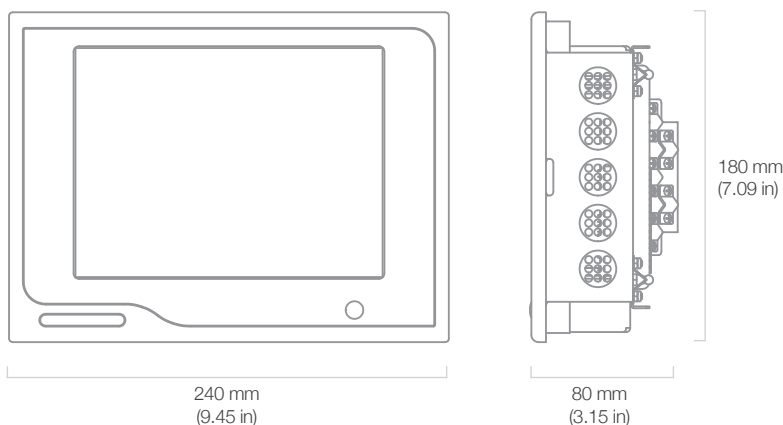
3105.0044 Weight 35 kg (77.16 lbs)



- Low voltage lighting
- Lightweight
- Reflector, non-reflector or both
- Reduced installation work
- Improved water tightness
- Simple periscope assembly

## AlphaLine MFL RoHS

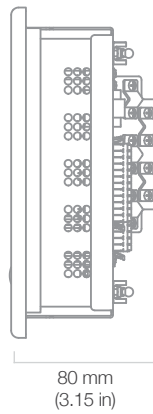
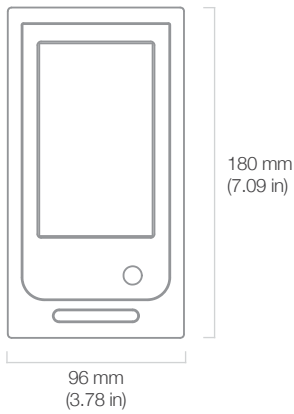
3803.0246 (grey), 3803.0248 (black) Weight 1.83 g (4.04 lbs)



- 8.4-inch touch display
- 800-by-600-pixel resolution
- Vertical orientation
- 600 cd/m<sup>2</sup> max brightness
- View angle (H/V) 180°
- 1.5 DIN mounting
- Panel cutout 216x172 mm

AlphaLine MFS-V RoHS

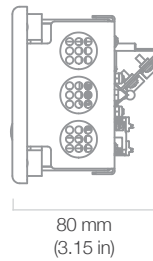
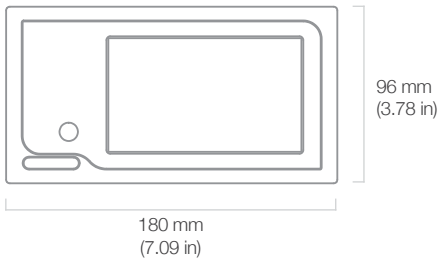
3803.0230 (grey), 3803.0232 (black) Weight 0.75 kg (1.65 lbs)



5-inch touch display  
480-by-800-pixel resolution  
Vertical orientation  
900 cd/m<sup>2</sup> max brightness  
View angle (H/V) 180°  
½ DIN mounting  
Panel cutout 90x160 mm

AlphaLine MFS-H RoHS

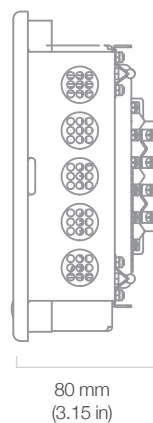
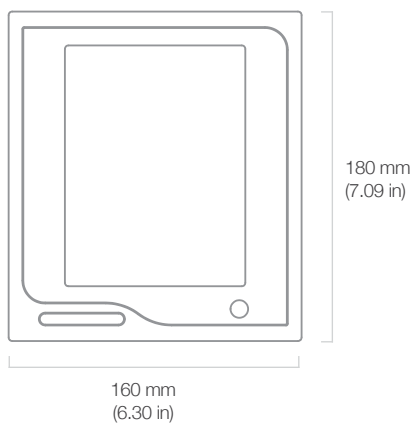
3803.0226 (grey), 3803.0228 (black) Weight 0.75 kg (1.65 lbs)



5-inch touch display  
800-by-480-pixel resolution  
Horizontal orientation  
900 cd/m<sup>2</sup> max brightness  
View angle (H/V) 180°  
½ DIN mounting  
Panel cutout 160x90 mm

AlphaLine MFM RoHS

3803.0242 (grey), 3803.0244 (black) Weight 1.23 kg (2.71 lbs)



6.5-inch touch display  
640-by-480-pixel resolution  
Vertical orientation  
1200 cd/m<sup>2</sup> max brightness  
View angle (H/V) 160°  
DIN mounting  
Panel cutout 144x172 mm



[www.jrc.am](http://www.jrc.am)

Centers of Excellence  
Houston, Rotterdam, Singapore, Tokyo